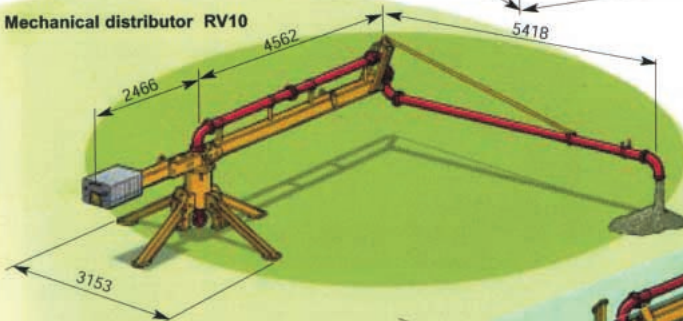
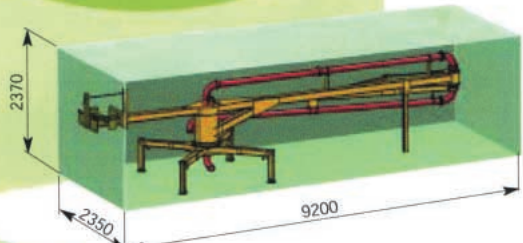
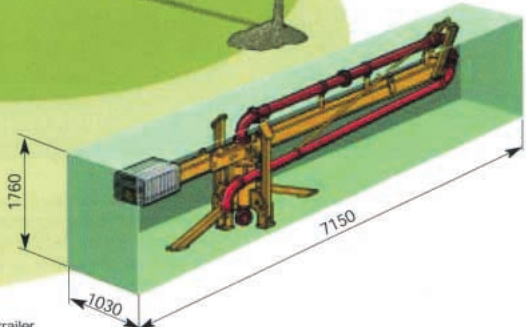


Mechanical distributor RV 12



Mechanical distributor RV 10



The RV 10 becomes "mobile" on its specially-constructed trailer. The mechanical distributor is easily locked into place by means of wedge closing devices. The hose magazine and transport box allow further accessories to be taken along. Technical data can be provided on request.

Weights:

RV 10:	Weight excluding ballast	Ballast 600 kg
RV 12:	Weight excluding ballast	Ballast 1000 kg

Wm. O'BRIEN

WHERE O'BRIEN GOES - PROSPERITY FOLLOWS