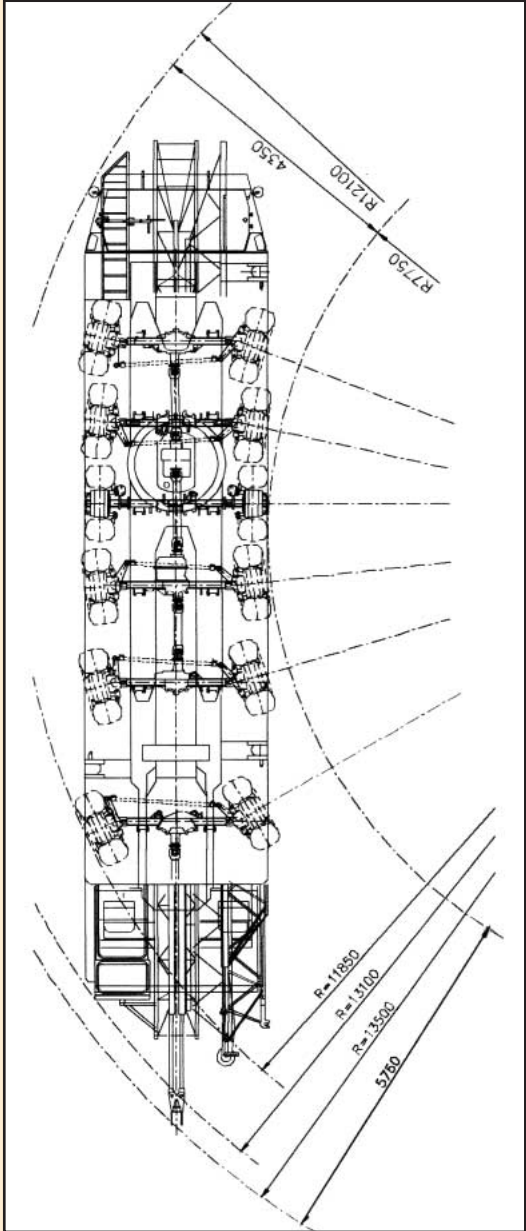
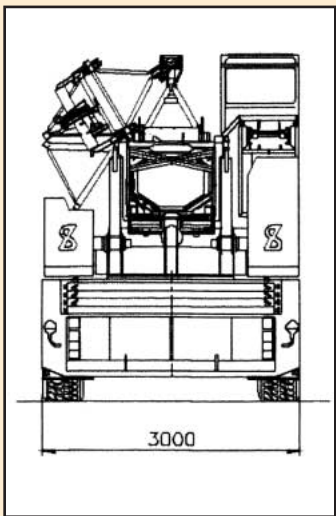
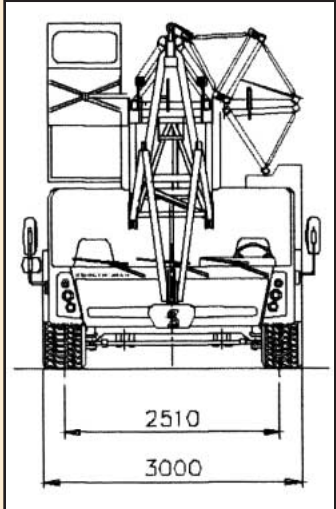


DON'T RISK IT - LET O'BRIEN LIFT IT

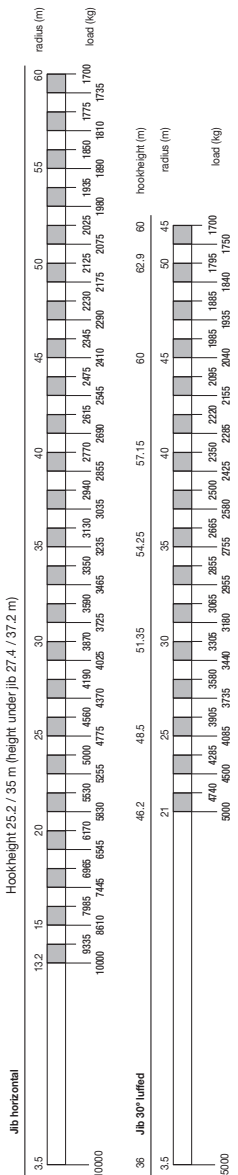


**Wm. O'BRIEN**

WHERE O'BRIEN GOES - PROSPERITY FOLLOWS



**Lifting Chart** Outrigger spread 7.95m x 7.66m (up to wind force 6 on the Beaufort Scale)



**Lifting Chart** Outrigger spread 7.95m x 5.72m (up to wind force 6 on the Beaufort Scale)

