

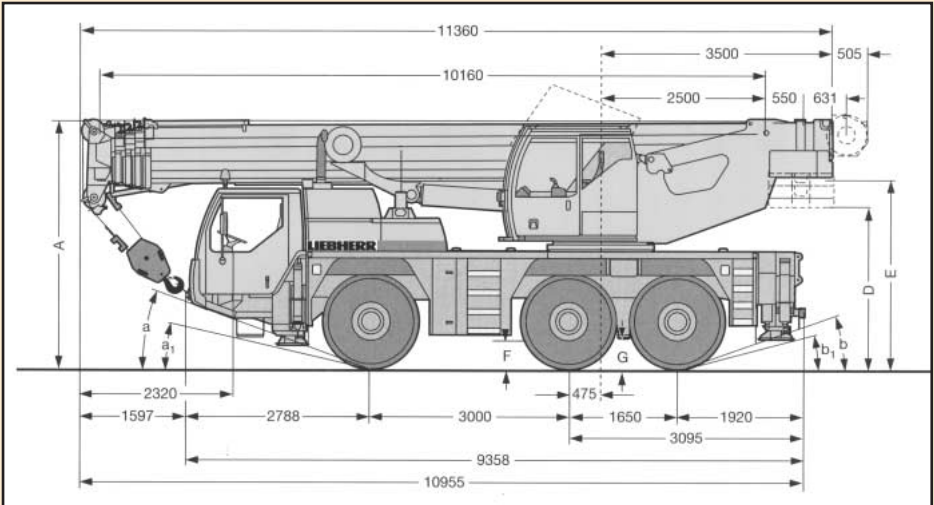


60 Ton All-Terrain Crane

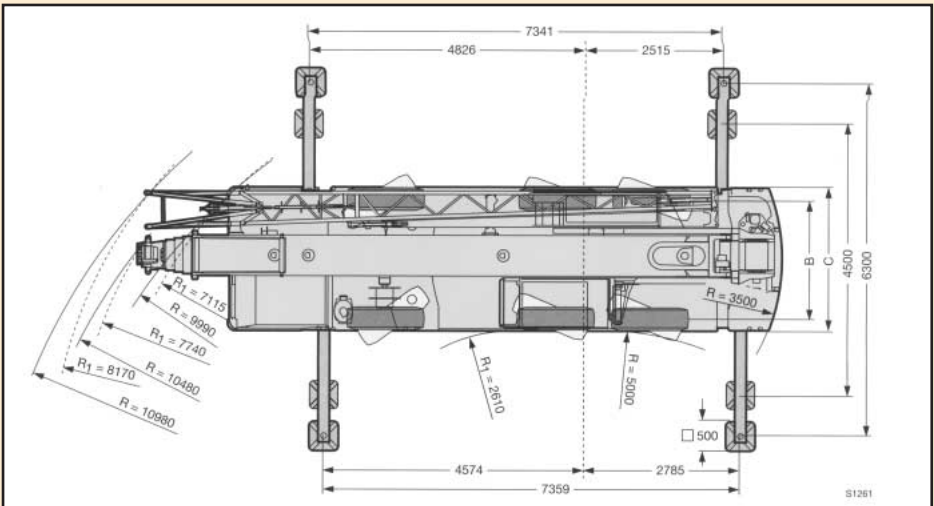
Wm. O'BRIEN

WHERE O'BRIEN GOES - PROSPERITY FOLLOWS

DIMENSIONS



SIDE VIEW

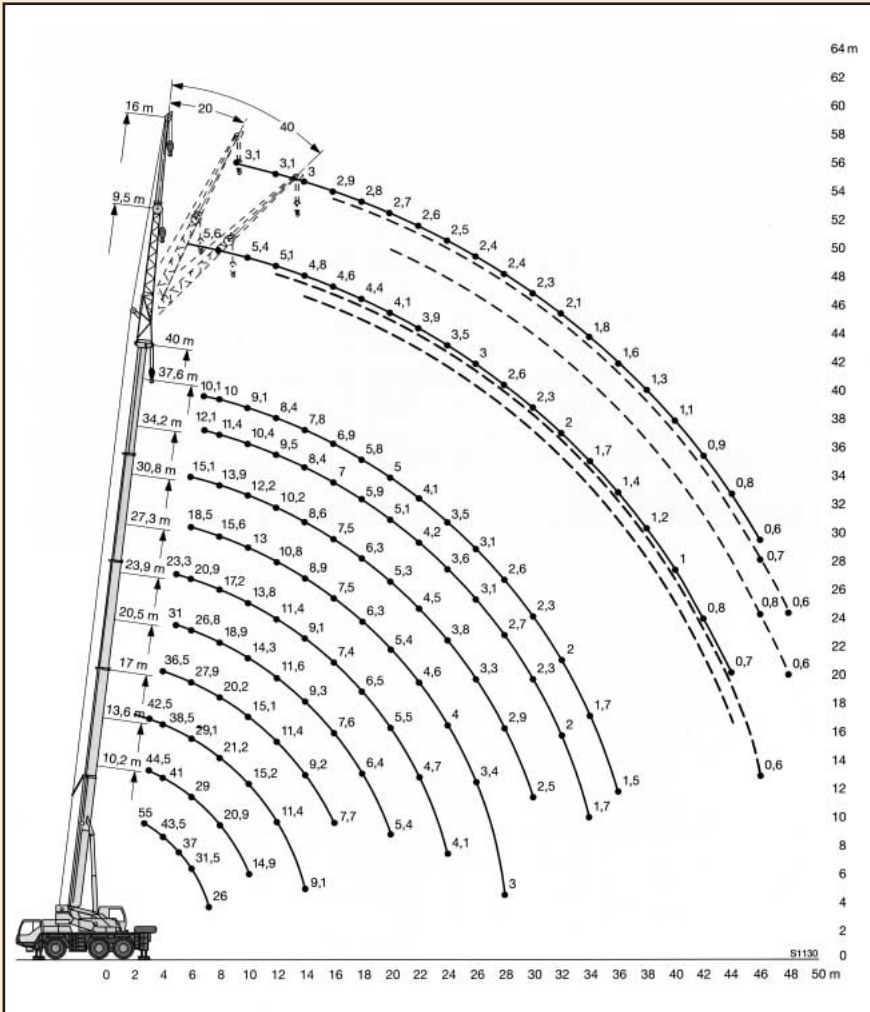


CRANE PLAN



DON'T RISK IT - LET O'BRIEN LIFT IT

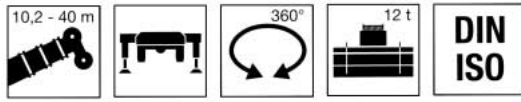
WORKING RANGE





Wm. O'BRIEN

WHERE O'BRIEN GOES - PROSPERITY FOLLOWS

LIFTING CAPACITIES ON TELESCOPIC BOOM



 m	10.2m	10.2m	13.6m	17m	20.5m	23.9m	27.3m	30.8m	34.2m	37.6m	40m	 m
2.5	60											2.5
2.7	53											2.7
3	51	49										3
3.5	47	44.5	44.5	42.5								3.5
4	43.5	41	41	38.5	36.5							4
4.5	39.5	37.5	37.5	35	33	31						4.5
5	37	34.5	34.5	33	31.5	30.5	23.3					5
6	31.5	28.8	29	29.1	27.9	26.8	20.9	18.5	15.1			6
7	26	24.1	24.4	24.9	23.2	22.2	18.9	16.9	14.8	12.1	10.1	7
8			20.9	21.2	20.2	18.9	17.2	15.6	13.9	11.4	10	8
9			17.6	17.9	17.4	16.3	15.7	14.3	13.1	10.9	9.5	9
10			14.9	15.2	15.1	14.3	13.8	13	12.2	10.4	9.1	10
12				11.4	11.4	11.6	11.4	10.8	10.2	9.5	8.4	12
14				9.1	9.2	9.3	9.1	8.9	8.6	8.4	7.8	14
16					7.7	7.6	7.4	7.5	7.5	7	6.9	16
18						6.4	6.5	6.3	6.3	5.9	5.8	18
20						5.4	5.5	5.4	5.3	5.1	5	20
22							4.7	4.6	4.5	4.2	4.1	22
24							4.1	4	3.8	3.6	3.5	24
26								3.4	3.3	3.1	3.1	26
28								3	2.9	2.7	2.6	28
30									2.5	2.3	2.3	30
32										2	2	32
34										1.7	1.7	34
36											1.5	36



DON'T RISK IT - LET O'BRIEN LIFT IT

LIFTING CAPACITIES ON THE FOLDING JIB

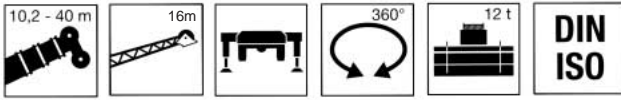


m	10.2m			30.8m			34.2m			37.6m			40m			m
	9.5m			9.5m			9.5m			9.5m			9.5m			
	0°	20°	40°	0°	20°	40°	0°	20°	40°	0°	20°	40°	0°	20°	40°	
3	7.9															3
3.5	7.7															3.5
4	7.4															4
4.5	7.1															4.5
5	6.8	6.7														5
6	6.3	6.5		8.4												6
7	5.7	6.1	5.2	8.4			7.7									7
8	5.2	5.7	5.2	8.1			7.6			6.3			5.6			8
9	4.7	5.3	5.1	7.9	6.7		7.4			6.3			5.6			9
10	4.2	4.9	4.9	7.6	6.5		7.2	6.2		6.1			5.4			10
12	3.3	3.9	4.2	7	6.2	5.3	6.9	5.9		5.8	5.5		5.1	5.2		12
14	2.7	3.3	3.4	6.5	5.9	5.1	6.6	5.7	5	5.5	5.2	4.7	4.8	4.9	4.6	14
16	2	2.5		6	5.6	4.9	6.2	5.5	4.8	5.3	4.8	4.6	4.6	4.5	4.3	16
18				5.5	5.4	4.8	5.6	5.3	4.7	4.9	4.5	4.4	4.4	4.2	4.1	18
20				4	5	4.7	4.8	5.1	4.6	4.5	4.2	4.1	4.1	3.9	3.9	20
22				4	4.6	4.7	4.2	4.4	4.6	4.1	4	3.9	3.9	3.7	3.7	22
24				3.8	4	4.2	3.9	3.8	3.9	3.6	3.8	3.7	3.5	3.5	3.5	24
26				3.5	3.5	3.6	3.4	3.5	3.5	3.1	3.3	3.4	3	3.2	3.3	26
28				3.1	3.2	3.3	2.9	3.1	3.2	2.7	2.9	3	2.6	2.8	2.9	28
30				2.7	2.8	2.9	2.6	2.7	2.8	2.3	2.5	2.6	2.3	2.4	2.5	30
32				2.4	2.5	2.5	2.2	2.3	2.4	2	2.1	2.2	2	2.1	2.2	32
34				2.1	2.1	2.2	1.9	2	2.1	1.7	1.8	1.9	1.7	1.8	1.9	34
36				1.8	1.9		1.7	1.8	1.8	1.5	1.6	1.6	1.4	1.5	1.6	36
38							1.5	1.5	1.5	1.2	1.3	1.4	1.2	1.3	1.4	38
40							1.3	1.3		1	1.1	1.1	1	1.1	1.1	40
42										0.9	0.9	0.9	0.8	0.9	0.9	42
44										0.7	0.7		0.7	0.7	0.7	44
46														0.6		46



WHERE O'BRIEN GOES - PROSPERITY FOLLOWS

LIFTING CAPACITIES ON THE FOLDING JIB



m	10.2m			30.8m			34.2m			37.6m			40m			m
	0°	20°	40°	0°	20°	40°	0°	20°	40°	0°	20°	40°	0°	20°	40°	
4	4.1															4
4.5	4															4.5
5	3.9															5
6	3.7															6
7	3.6			4.2												7
8	3.4	3.3		4.2			3.8									8
9	3.2	3.1		4.1			3.8			3.4			3.1			9
10	3.1	3		4			3.7			3.3			3.1			10
12	2.8	2.8	2.2	3.8	3		3.5			3.2			3.1			12
14	2.6	2.6	2.1	3.6	2.9		3.3	2.8		3.1			3			14
16	2.3	2.4	2.1	3.4	2.7		3.2	2.7		3	2.6		2.9	2.5		16
18	1.9	2.2	2	3.2	2.6	2.2	3.1	2.6	2.2	2.9	2.5		2.8	2.4		18
20	1.7	2	1.9	3	2.5	2.2	3	2.5	2.1	2.8	2.4	2.1	2.7	2.3	2.1	20
22		1.8		2.9	2.4	2.1	2.8	2.4	2.1	2.7	2.3	2.1	2.6	2.3	2	22
24				2.8	2.3	2.1	2.7	2.3	2.1	2.6	2.2	2	2.5	2.2	2	24
26				2.6	2.3	2.1	2.6	2.2	2	2.5	2.2	2	2.4	2.2	2	26
28				2.5	2.2	2	2.5	2.2	2	2.4	2.1	2	2.4	2.1	2	28
30				2.4	2.1	2	2.4	2.1	2	2.3	2.1	2	2.3	2.1	2	30
32				2.3	2.1	2	2.3	2.1	2	2.1	2	2	2.1	2	2	32
34				2.2	2.1	2	2.1	2	2	1.9	2	2	1.8	2	1.9	34
36				2	2	2	1.8	2	2	1.6	1.8	2	1.6	1.8	1.9	36
38				1.7	1.8	1.9	1.6	1.7	1.8	1.4	1.6	1.7	1.3	1.5	1.7	38
40				1.5	1.6	1.6	1.4	1.5	1.6	1.2	1.3	1.4	1.1	1.3	1.4	40
42				1.3	1.4		1.2	1.3	1.3	1	1.1	1.2	0.9	1.1	1.2	42
44							1	1.1	1.1	0.8	0.9	1	0.8	0.9	1	44
46							0.9	0.9		0.7	0.8	0.8	0.6	0.7	0.8	46
48											0.6	0.6		0.6	0.6	48



DON'T RISK IT - LET O'BRIEN LIFT IT