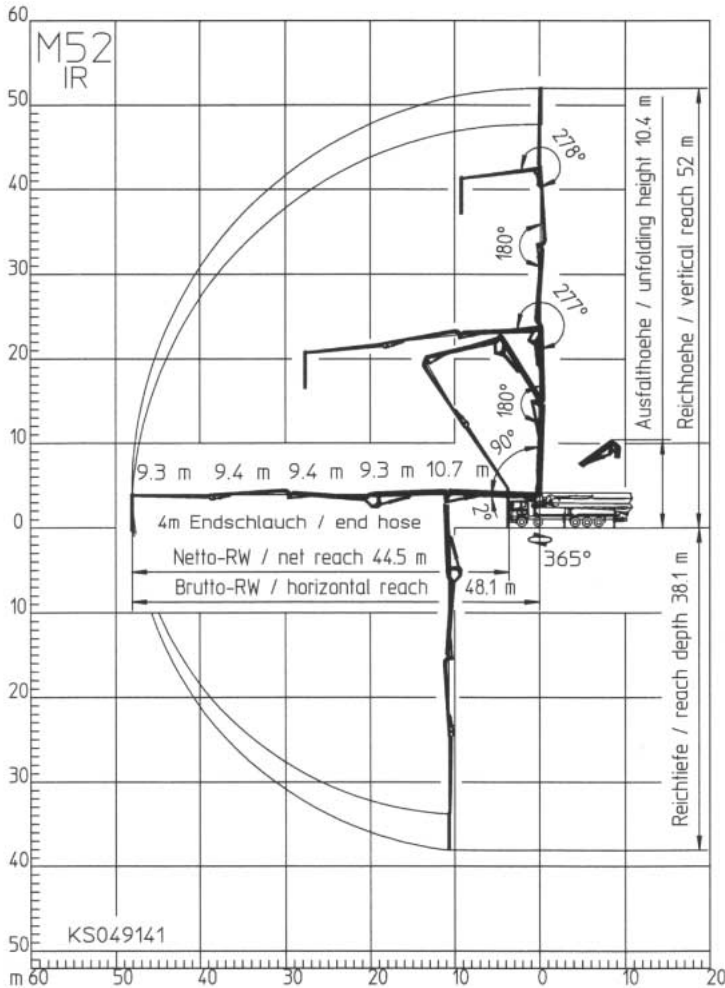


52 Metre Concrete Pump.

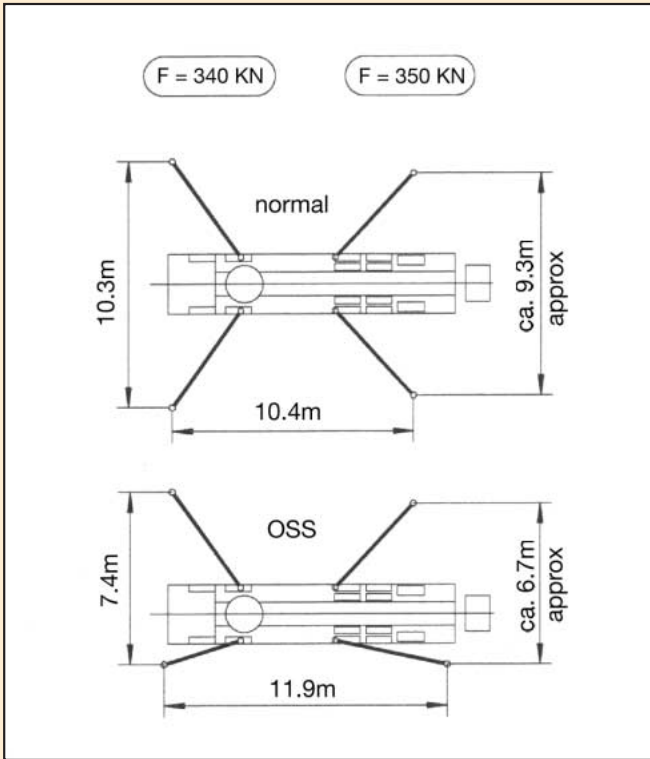
**Wm. O'BRIEN**

DON'T RISK IT - LET O'BRIEN LIFT IT

Reach information diagram, Support, Performance diagram



WHERE O'BRIEN GOES - PROSPERITY FOLLOWS



## Technical Data

Boom M52			
Reach height		m	52.0
Horizontal reach	gross	m	48.1
	net	m	44.5
Reach depth max.		m	38.1
Unfolding height		m	10.4
End hose length		m	4
Number of arms			5
Folding system	Multi-z-fold (mz)		
Delivery line	DN 125 - 5 1/2"		

**Wm. O'BRIEN**

DON'T RISK IT - LET O'BRIEN PUMP IT