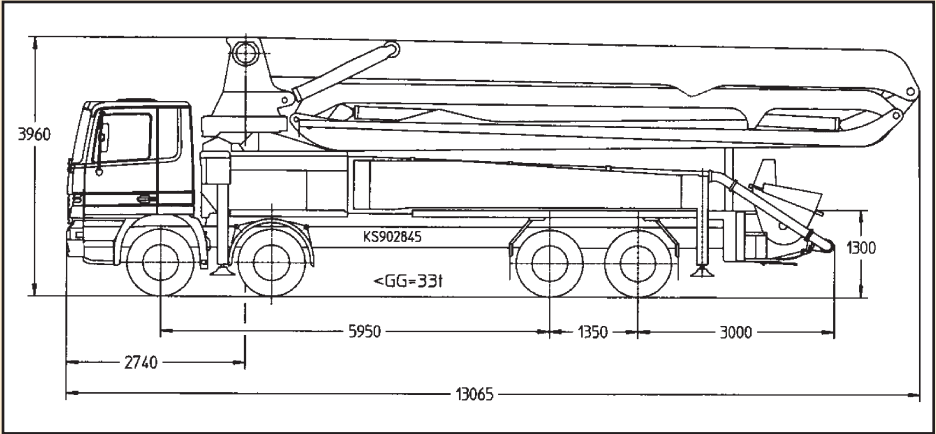


DIMENSIONS



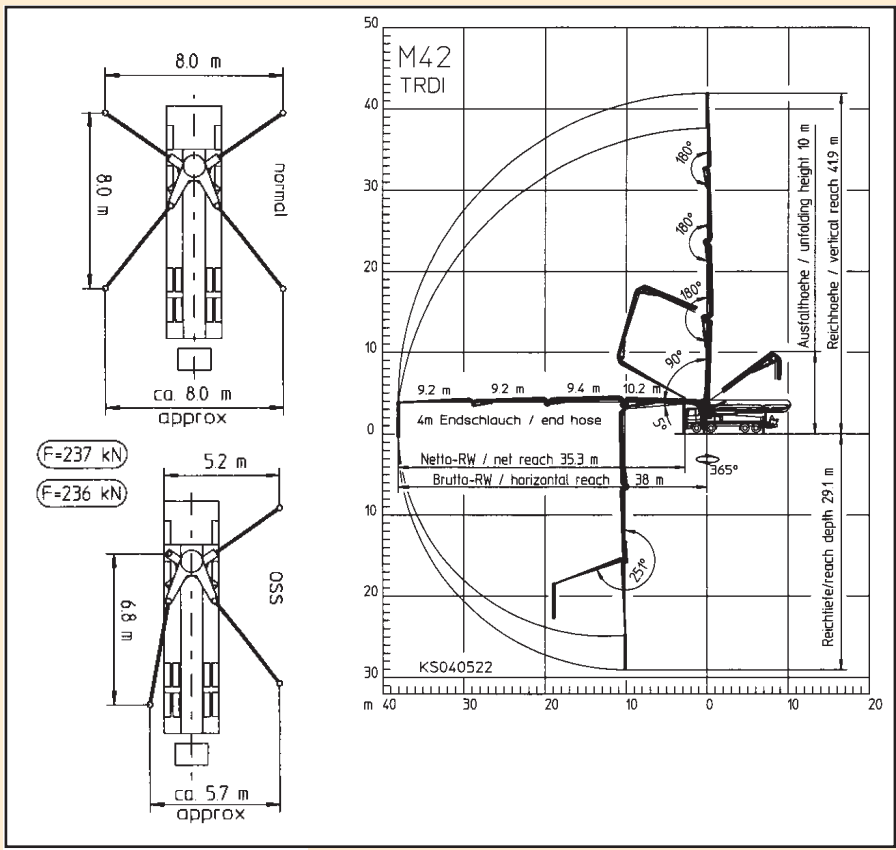
TECHNICAL DATA

MODEL	M 42
Boom	42 m
Reach Height	41.9 m
Horizontal Reach Gross	38.0 m
Horizontal Reach Net	35.3 m
Reach Depth Max.	29.1 m
Unfolding Height	10.0 m
End Hose Length	4 m
Number of Arms	4
Folding System	Roll-and-fold (R)
Delivery Line	DN 125 - 5.5"
Output	200m ³ per hour

Wm. O'BRIEN

DON'T RISK IT - LET O'BRIEN PUMP IT

REACH INFORMATION DIAGRAM, SUPPORT, PERFORMANCE DIAGRAM



WHERE O'BRIEN GOES - PROSPERITY FOLLOWS



42 metre concrete pump working on a new road development.

Wm. O'BRIEN

DON'T RISK IT - LET O'BRIEN PUMP IT