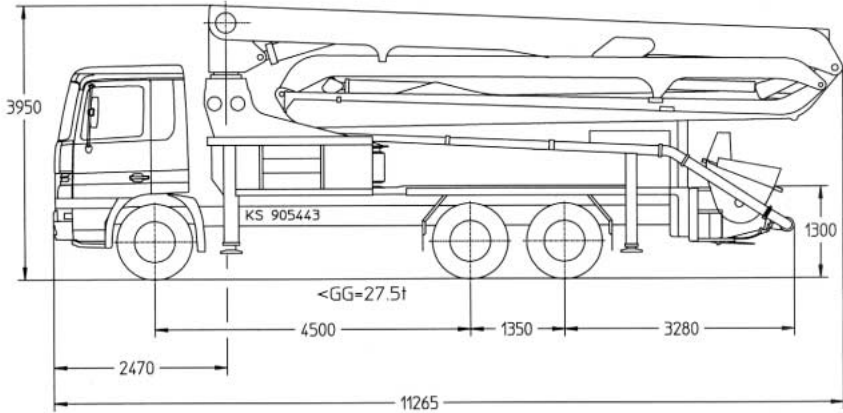


**Output up to 160 m<sup>3</sup>/h**  
**Delivery press. up to 130 bar**



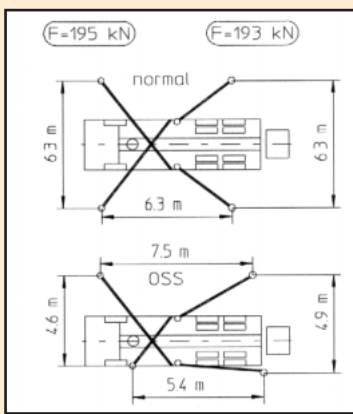
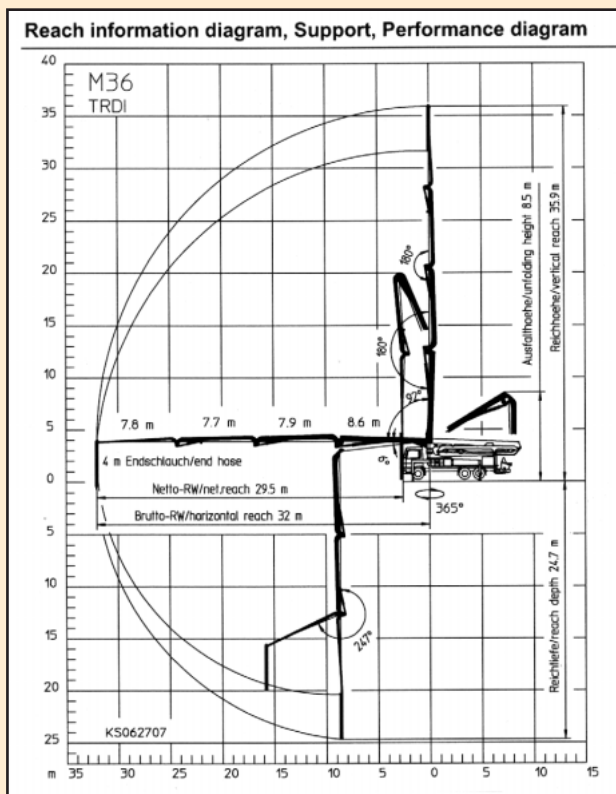
## Technical Data

Boom M36		
Reach height	m	35.9
Horizontal reach	gross	m 32.0
	net	m 29.5
Reach depth max.	m	24.7
Unfolding height	m	8.5
End hose length	m	4
Number of arms	4	
Folding system	Roll-and-fold (R)	
Delivery line	DN 125 - 5 <sup>1</sup> / <sub>2</sub>	

Pump BSF		.09H	.14H	.16H
Output	m <sup>3</sup> /h	90	140	160
Delivery pressure	bar	105	112	130
Delivery cylinder	ømm	200	230	230
Stroke	mm	1400	2100	2100

**Wm. O'BRIEN**

**DON'T RISK IT - LET O'BRIEN PUMP IT**



**Wm. O'BRIEN**

WHERE O'BRIEN GOES - PROSPERITY FOLLOWS