

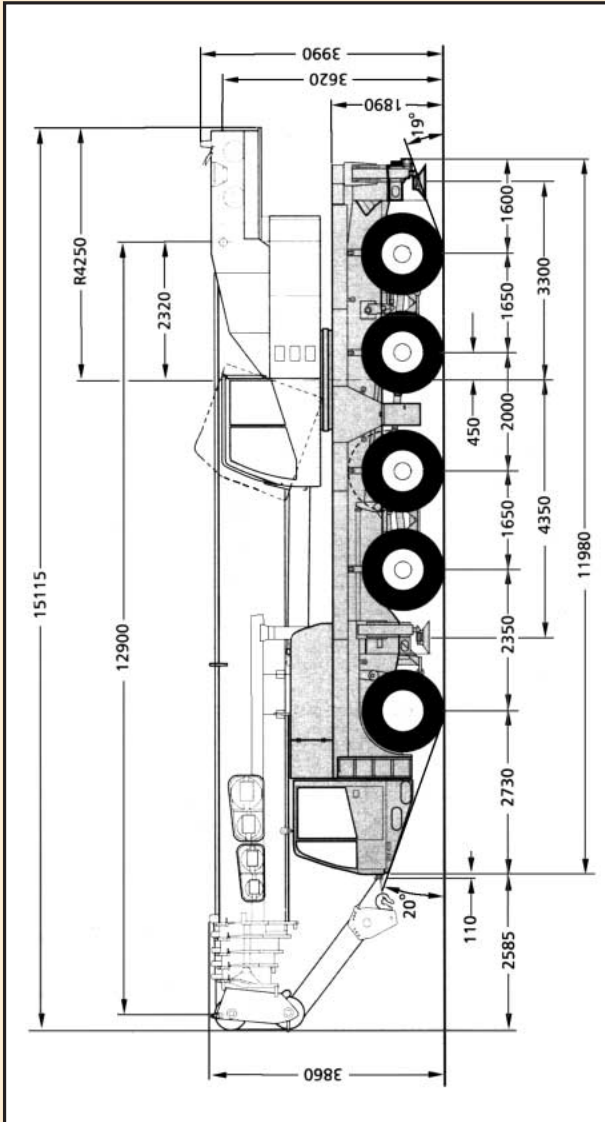


140 Ton All-Terrain Crane

Wm. O'BRIEN

DON'T RISK IT - LET O'BRIEN LIFT IT

DIMENSIONS

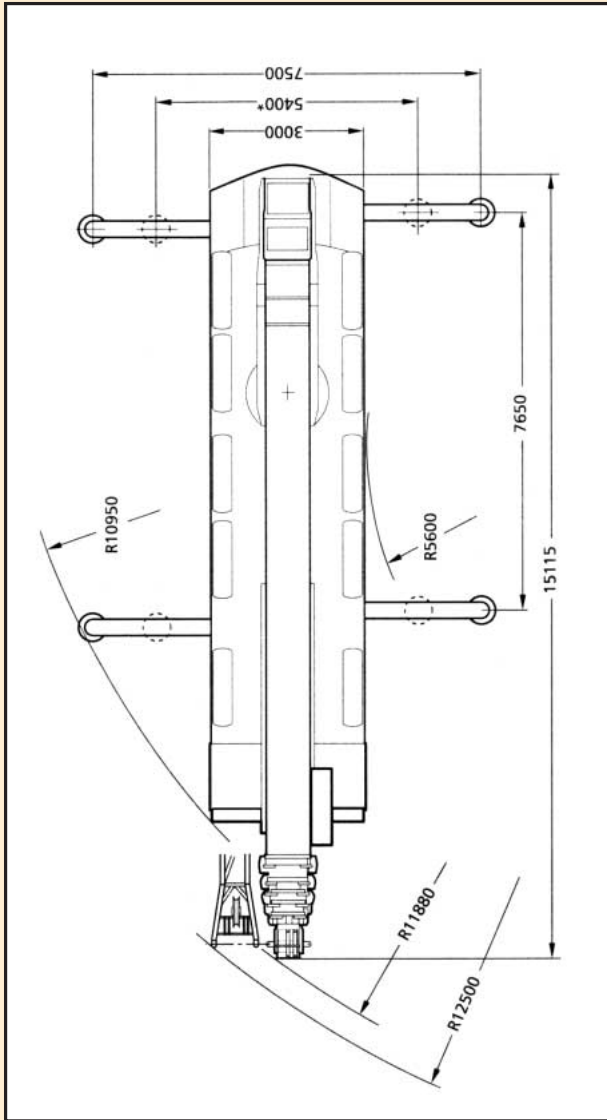


SIDE VIEW



WHERE O'BRIEN GOES - PROSPERITY FOLLOWS

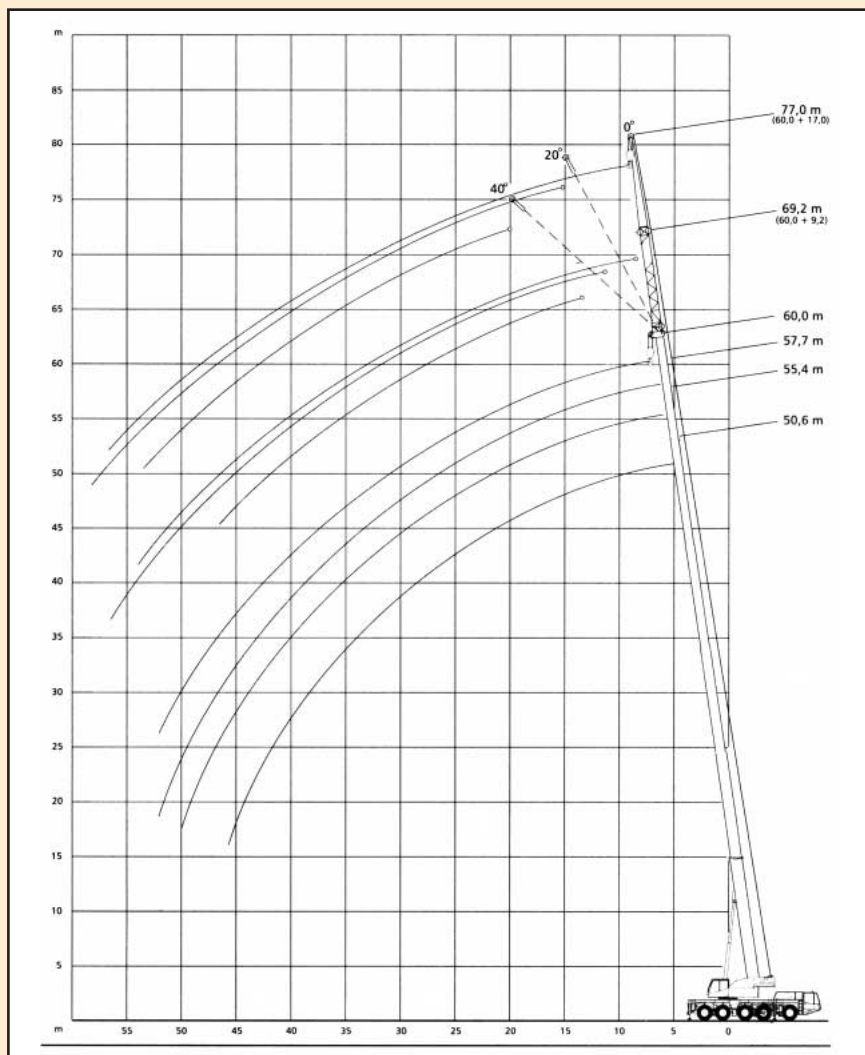
DIMENSIONS



CRANE PLAN



DON'T RISK IT - LET O'BRIEN LIFT IT



WORKING RANGE

Wm. O'BRIEN

WHERE O'BRIEN GOES - PROSPERITY FOLLOWS

LIFTING CAPACITIES FOR MAIN BOOM

38t 7.65 x 7.50m 360°

Radius m	Length of Main Boom											Radius m											
	2.9	17.6	22.3	27.0	31.7	36.3	41.2	45.9	50.6	55.4	57.7		60.0										
	t	t	t	t	t	t	t	t	t	t	t	t											
3	140.0°	-	-	-	-	-	-	-	-	-	-	-	3										
3	111.7	-	-	-	-	-	-	-	-	-	-	-	3										
3.5	102.7	70.0	-	-	-	-	-	-	-	-	-	-	3.5										
4	94.7	70.0	70.0	-	-	-	-	-	-	-	-	-	4										
4.5	87.4	70.0	70.0	51.0	-	-	-	-	-	-	-	-	4.5										
5	81.0	70.0	69.9	48.0	40.0	-	-	-	-	-	-	-	5										
6	70.3	69.8	65.2	45.0	40.0	30.0	-	-	-	-	-	-	6										
7	59.9	59.6	58.6	41.3	40.0	30.0	-	-	-	-	-	-	7										
8	52.1	51.7	50.6	40.0	36.9	28.5	23.0	-	-	-	-	-	8										
9	45.3	44.9	43.9	40.0	34.0	26.9	22.3	19.5	-	-	-	-	9										
10	38.0	39.6	38.5	39.2	31.5	25.4	21.8	19.1	14.0	-	-	-	10										
12	-	31.6	32.1	31.2	27.0	25.0	20.6	18.2	13.8	11.0	-	-	12										
14	-	24.8	25.4	24.3	23.4	22.0	18.5	16.6	12.9	10.7	9.4	8.0	14										
16	-	-	20.4	19.8	20.9	19.0	16.2	14.8	12.0	10.4	9.1	7.7	16										
18	-	-	-	16.8	17.5	17.2	16.4	14.4	13.4	11.1	10.0	8.8	7.3	18									
20	-	-	-	-	14.7	14.5	14.5	13.0	12.2	10.3	9.5	8.4	6.9	20									
22	-	-	-	-	-	12.5	12.3	12.4	11.7	11.1	9.6	8.9	8.0	6.6	22								
24	-	-	-	-	-	-	10.6	10.6	140.6	10.0	8.9	8.3	7.5	6.2	24								
26	-	-	-	-	-	-	-	9.1	9.2	9.4	8.9	8.2	7.6	7.1	5.9	26							
28	-	-	-	-	-	-	-	-	7.8	7.9	8.1	8.1	7.6	7.0	6.6	5.6	28						
30	-	-	-	-	-	-	-	-	-	6.8	7.0	7.0	6.8	6.4	6.1	5.4	30						
32	-	-	-	-	-	-	-	-	-	-	5.9	6.1	5.9	5.9	5.7	5.1	32						
34	-	-	-	-	-	-	-	-	-	-	-	5.7	5.2	5.5	5.1	5.2	4.9	34					
36	-	-	-	-	-	-	-	-	-	-	-	-	5.3	4.9	5.0	4.4	4.4	4.5	36				
38	-	-	-	-	-	-	-	-	-	-	-	-	-	4.6	4.4	4.1	3.8	3.9	3.8	38			
40	-	-	-	-	-	-	-	-	-	-	-	-	-	-	4.3	3.8	3.8	3.2	3.3	40			
42	-	-	-	-	-	-	-	-	-	-	-	-	-	-	-	4.0	3.3	3.4	2.7	2.8	42		
44	-	-	-	-	-	-	-	-	-	-	-	-	-	-	-	-	2.8	2.9	2.3	2.4	44		
46	-	-	-	-	-	-	-	-	-	-	-	-	-	-	-	-	-	2.4	2.5	1.8	2.0	46	
48	-	-	-	-	-	-	-	-	-	-	-	-	-	-	-	-	-	-	2.1	1.5	1.6	48	
50	-	-	-	-	-	-	-	-	-	-	-	-	-	-	-	-	-	-	-	1.8	1.1	1.2	50
52	-	-	-	-	-	-	-	-	-	-	-	-	-	-	-	-	-	-	-	-	0.8	0.9	52

LIFTING CAPACITIES FOR MAIN BOOM EXTENSION

38t 7.65 x 7.50m 360°

55.4m	Main Boom					60.0m	Main Boom						
	0°	9.2m 20°	40°	0°	17.0m 20°		40°	0°	9.2m 20°	40°	0°	17.0m 20°	40°
14	6.6	-	-	-	-	14	0°	-	-	-	-	-	
16	6.3	-	-	3.4	-	16	4.6	-	-	-	-	-	
18	6.0	-	-	3.3	-	18	4.5	-	-	2.7	-	-	
20	5.6	4.8	4.5	3.1	-	20	4.4	-	-	2.6	-	-	
22	5.3	4.8	4.5	3.0	2.4	22	4.3	3.9	4.0	2.6	-	-	
24	5.0	4.6	4.4	2.9	2.4	24	4.2	3.9	4.0	2.5	1.9	-	
26	4.8	4.4	4.3	2.8	2.3	2.2	26	4.1	3.8	3.8	2.5	1.9	-
28	4.6	4.3	4.1	2.7	2.3	2.2	28	3.9	3.6	3.7	2.4	1.9	2.0
30	4.4	4.1	4.0	2.6	2.2	2.2	30	3.8	3.5	3.5	2.3	1.9	2.0
32	4.2	3.9	3.9	2.5	2.1	2.1	32	3.7	3.4	3.4	2.2	1.9	2.0
34	4.0	3.8	3.7	2.4	2.1	2.1	34	3.5	3.2	3.2	2.1	1.9	1.9
36	3.8	3.6	3.6	2.4	2.0	2.0	36	3.3	3.1	3.1	2.1	1.9	1.9
38	3.6	3.5	3.5	2.3	2.0	2.0	38	3.2	2.9	2.9	2.0	1.8	1.9
40	3.4	3.3	3.3	2.2	1.9	2.0	40	3.0	2.8	2.8	1.9	1.8	1.9
42	3.0	3.1	3.2	2.1	1.9	1.9	42	2.8	2.7	2.7	1.8	1.8	1.8
44	2.5	2.8	3.0	2.0	1.8	1.9	44	2.6	2.5	2.6	1.8	1.7	1.8
46	2.1	2.4	-	1.9	1.8	1.8	46	2.2	2.4	2.4	1.7	1.7	1.7
48	1.7	2.0	-	1.8	1.7	1.8	48	1.8	2.1	-	1.6	1.6	1.7
50	1.4	1.6	-	1.7	1.7	1.8	50	1.4	1.7	-	1.6	1.6	1.7
52	1.1	1.3	-	1.4	1.7	1.7	52	1.1	1.3	-	1.4	1.5	1.6
54	0.8	0.9	-	1.1	1.5	-	54	0.8	1.0	-	1.1	1.5	1.6
56	-	-	-	0.9	1.2	-	56	-	0.7	-	0.9	1.2	-
58	-	-	-	-	0.9	-	58	-	-	-	-	0.9	-
62	-	-	-	-	-	-	62	-	-	-	-	-	-



DON'T RISK IT - LET O'BRIEN LIFT IT

LIFTING CAPACITIES FOR MAIN BOOM

28t 7.65 x 7.50m 360°

Radius m	Length of Main Boom												Radius m
	2.9	17.6	22.3	27.0	31.7	36.3	41.2	45.9	50.6	55.4	57.7	60.0	
3	140.0°	-	-	-	-	-	-	-	-	-	-	-	3
3	111.4	-	-	-	-	-	-	-	-	-	-	-	3
3.5	101.8	70.0	-	-	-	-	-	-	-	-	-	-	3.5
4	93.4	70.0	70.0	-	-	-	-	-	-	-	-	-	4
4.5	86.2	70.0	70.0	51.0	-	-	-	-	-	-	-	-	4.5
5	80.0	70.0	69.9	48.0	40.0	-	-	-	-	-	-	-	5
6	66.7	66.4	65.2	45.0	40.0	30.0	-	-	-	-	-	-	6
7	56.5	56.1	55.0	41.3	40.0	30.0	-	-	-	-	-	-	7
8	48.2	47.9	46.8	40.0	36.9	28.5	23.0	-	-	-	-	-	8
9	41.9	41.5	40.5	40.0	34.0	26.9	22.3	19.5	-	-	-	-	9
10	36.3	35.7	36.4	35.2	31.5	25.4	21.8	19.1	14.0	-	-	-	10
12	-	28.0	26.6	25.5	25.3	25.0	20.6	18.2	13.8	11.0	-	-	12
14	-	20.0	20.5	21.2	21.0	20.1	18.5	16.6	12.9	10.7	9.4	8.0	14
16	-	-	16.3	17.0	16.8	16.9	16.2	14.8	12.0	10.4	9.1	7.7	16
18	-	-	13.3	13.9	13.7	13.8	13.2	13.4	11.1	10.0	8.8	7.3	18
20	-	-	-	11.6	11.3	11.5	11.7	11.1	10.3	9.5	8.4	6.9	20
22	-	-	-	9.7	9.4	9.6	9.8	9.8	9.6	8.9	8.0	6.6	22
24	-	-	-	-	7.8	7.9	8.2	8.2	8.0	8.1	7.5	6.2	24
26	-	-	-	-	6.5	6.6	7.3	6.9	7.1	6.7	6.8	5.9	26
28	-	-	-	-	5.5	5.5	6.8	6.3	6.3	5.6	5.7	5.6	28
30	-	-	-	-	-	4.6	5.9	5.9	5.3	5.2	4.7	4.9	30
32	-	-	-	-	-	3.8	5.1	5.2	4.5	4.6	3.9	4.0	32
34	-	-	-	-	-	-	4.4	4.5	3.8	3.9	3.2	3.3	34
36	-	-	-	-	-	-	3.8	3.9	3.2	3.3	2.6	2.7	36
38	-	-	-	-	-	-	-	3.3	2.7	2.8	2.1	2.2	38
40	-	-	-	-	-	-	-	2.8	2.2	2.3	1.6	1.7	40
42	-	-	-	-	-	-	-	2.4	1.8	1.9	1.2	1.3	42
44	-	-	-	-	-	-	-	-	1.4	1.5	0.8	0.9	44
46	-	-	-	-	-	-	-	-	1.0	1.1	-	-	46
48	-	-	-	-	-	-	-	-	-	0.8	-	-	48
50	-	-	-	-	-	-	-	-	-	-	-	-	50

LIFTING CAPACITIES FOR MAIN BOOM EXTENSION

28t 7.65 x 7.50m 360°

55.4m	Main Boom						60.0m	Main Boom						
	0°	9.2m	20°	40°	0°	17.0m		0°	9.2m	20°	40°	0°	17.0m	40°
14	6.6	-	-	-	-	-	14	-	-	-	-	-	-	-
16	6.3	-	-	-	3.4	-	16	4.6	-	-	-	-	-	-
18	6.0	-	-	-	3.3	-	18	4.5	-	-	2.7	-	-	-
20	5.6	4.8	4.5	3.1	-	-	20	4.4	-	-	2.6	-	-	-
22	5.3	4.8	4.5	3.0	2.4	-	22	4.3	3.9	4.0	2.6	-	-	-
24	5.0	4.6	4.4	2.9	2.4	-	24	4.2	3.9	4.0	2.5	1.9	-	-
26	4.8	4.4	4.3	2.8	2.3	2.2	26	4.1	3.8	3.8	2.5	1.9	-	-
28	4.6	4.3	4.1	2.7	2.3	2.2	28	3.9	3.6	3.7	2.4	1.9	2.0	-
30	4.4	4.1	4.0	2.6	2.2	2.2	30	3.8	3.5	3.5	2.3	1.9	2.0	-
32	4.2	3.9	3.9	2.5	2.1	2.1	32	3.7	3.4	3.4	2.2	1.9	2.0	-
34	3.6	3.8	3.7	2.4	2.1	2.1	34	3.5	3.2	3.2	2.1	1.9	1.9	-
36	2.9	3.4	3.6	2.4	2.0	2.0	36	3.0	3.1	3.1	2.1	1.9	1.9	-
38	2.4	2.8	3.0	2.3	2.0	2.0	38	2.5	2.9	2.9	2.0	1.8	1.9	-
40	1.9	2.3	2.5	2.2	1.9	2.0	40	2.0	2.3	2.6	1.9	1.8	1.9	-
42	1.5	1.8	2.0	1.8	1.9	1.9	42	1.5	1.9	2.1	1.8	1.8	1.8	-
44	1.1	1.4	1.5	1.4	1.8	1.9	44	1.1	1.4	1.6	1.5	1.7	1.8	-
46	0.7	1.0	-	1.1	1.6	1.8	46	0.8	1.1	1.2	1.7	1.7	1.7	-
48	-	-	-	0.8	1.2	1.6	48	-	0.7	-	0.8	1.3	1.6	-
50	-	-	-	-	0.9	1.2	50	-	-	-	-	0.9	1.3	-
52	-	-	-	-	-	0.8	52	-	-	-	-	-	0.9	-

